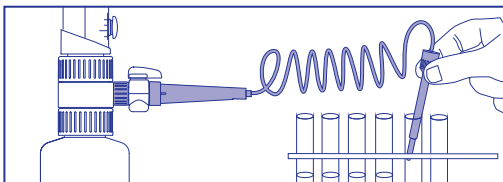


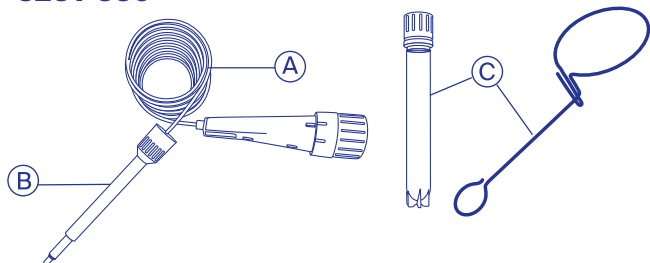
# Quick Guide



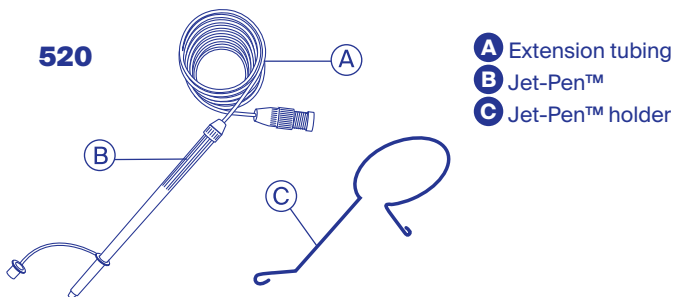
## Jet-Pen™ Extension Tubing for Calibrex™



525 / 530



520



- A** Extension tubing
- B** Jet-Pen™
- C** Jet-Pen™ holder

Related items	Packaging	Cat. No.
For Calibrex™ 525/530 up to 10 mL	1 / pk	1.525.610
For Calibrex™ 525/530 ≥ 25 mL	1 / pk	1.525.625
For Calibrex™ 525/530, 50 - 100 mL	1 / pk	1.525.650
For Calibrex™ 520, up to 10 mL	1 / pk	1.524



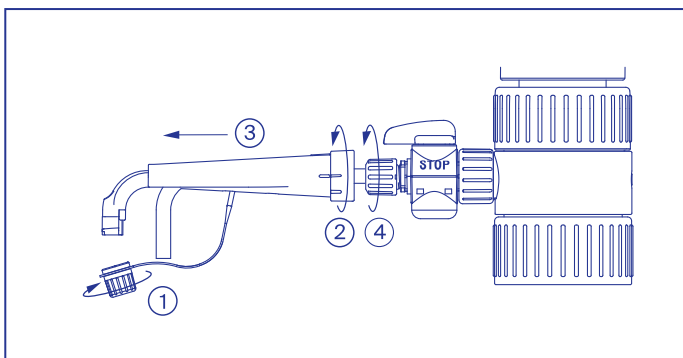
**Package contents**

Extension tubing with Jet-Pen™ and Jet-Pen™ holder (Calibrex™ 520 without the tube), Quick Guide

### ⚠ Safety precautions

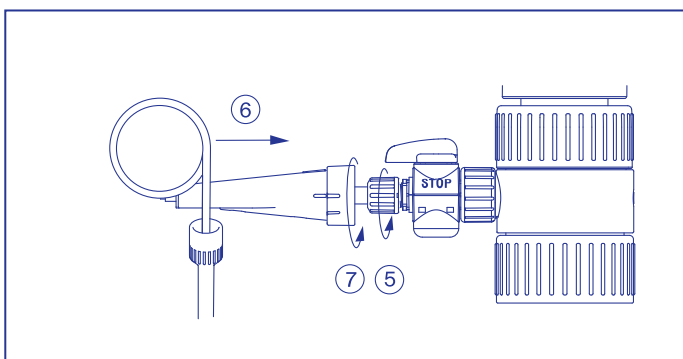
- Read carefully and observe manufacturer's instructions and guidelines.
- Always control chemical compatibility limits.
- Refer to and follow regulations about handling of potentially hazardous reagents.
- Make sure to stabilize the bottle (especially if small bottle used).
- Jet-Pen™ Extension Tubing should never point towards a person.
- This accessory is intended for remote liquid dispensing in laboratory setting and to be used with Socorex Calibrex™ 520/525/530 dispensers.

### Step-by-step instructions



#### Assembling with stopcock

1) Remove stopper. 2) Release delivery jet and 3) pull to separate from stopcock. 4) Unscrew delivery jet tube.  
**For versions without stopcock** (incl. Calibrex™ 520), simply unscrew the delivery jet and replace it with extension tubing.



5) Screw on extension tubing. 6) Press attachment module towards stopcock and 7) lock.

### Scan to access operating instruction:

Calibrex™ 525/530



EN / DE / FR IT / ES / PT

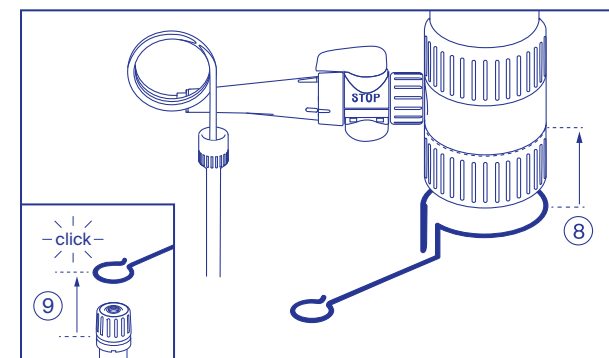
Calibrex™ 520



EN / DE / FR IT / ES / PT

### Scan to access video:

Jet-Pen™ Extension Tubing mounting on Calibrex™ 525/530



8) Unscrew dispenser from bottle and place Jet-Pen holder below the adapter. 9) Click holder tube into place.



525/530



520

#### End of work

Place Jet-Pen™ in holder tube for safe storing.

1.LCXEXTL-E-A0626